

PLCC SERIES

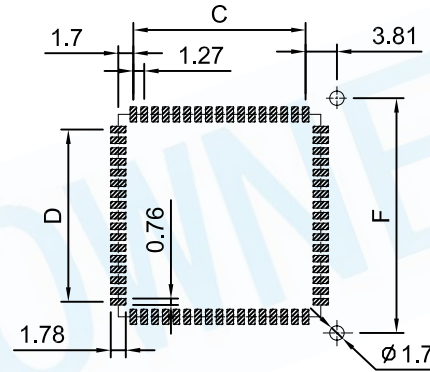
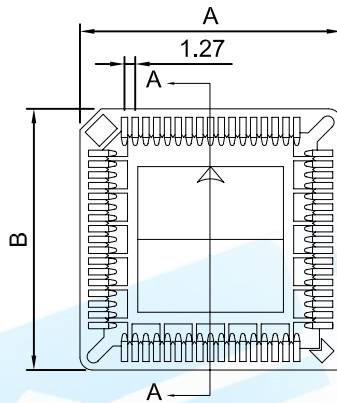
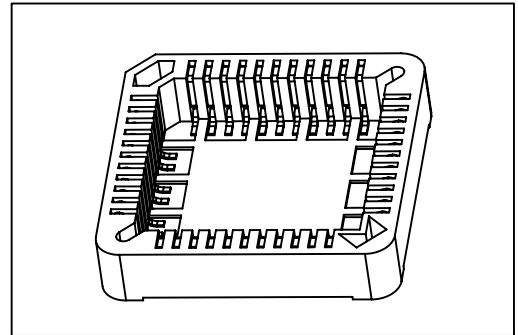
W/LOCATING PEG SMT TYPE

Specifications

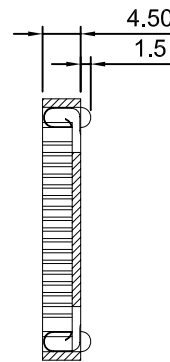
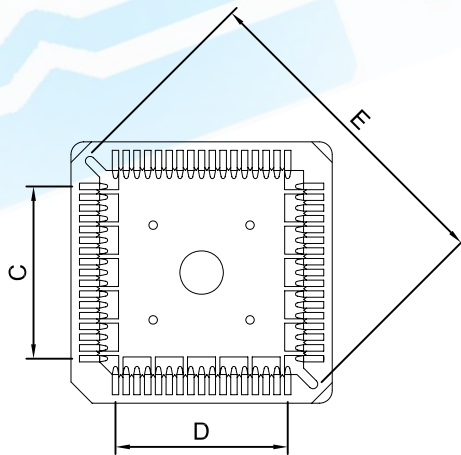
Current Rating: 1.0 Amp
 Voltage Rating: 100V AC/DC
 Contact resistance: 30m Ohm Max
 Insulator resistance: 1,000M ohm min.
 Withstanding Voltage: 500V AC/Minute
 Operating Temperature Range: -40° ~ +105° C

Material And Finish

Insulator: PPS Or PBT(UL 94V-0)
 Contact: Phosphor Bronze
 Contact Plated: Full Tin Plated



Recommended PCB Layout



Section A-A

Dimension Table

Pos	A±0.2	B±0.2	C±0.2	D±0.2	E±0.2	F±0.2
20	15.24	15.24	5.08	5.08	16.70	12.70
28	17.78	17.78	7.62	7.62	20.30	15.24
32	17.78	20.32	7.62	10.16	22.50	17.78
44	22.86	22.86	12.70	12.70	27.50	20.32
52	25.40	25.40	15.24	15.24	31.10	22.86
68	30.82	30.82	20.32	20.32	38.30	27.94
84	35.90	35.90	25.40	25.40	45.50	33.02

How To Order

P401A- XXXT

- Full Tin Plated
- Insulator Material
- P:PBT
- L:LCP
- No. Of Positions