

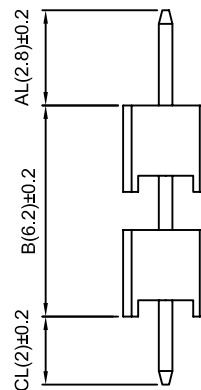
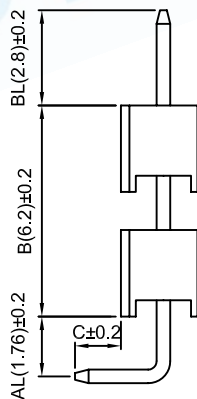
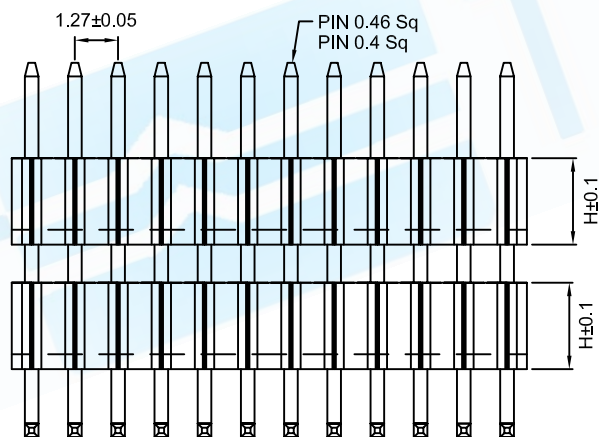
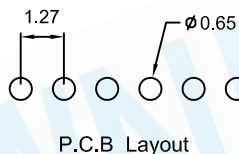
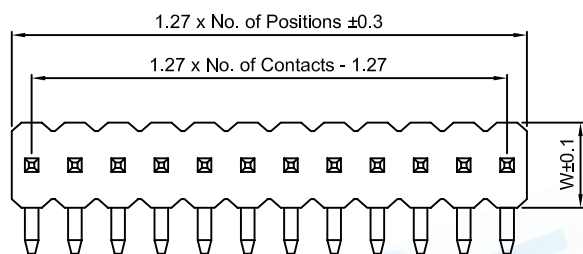
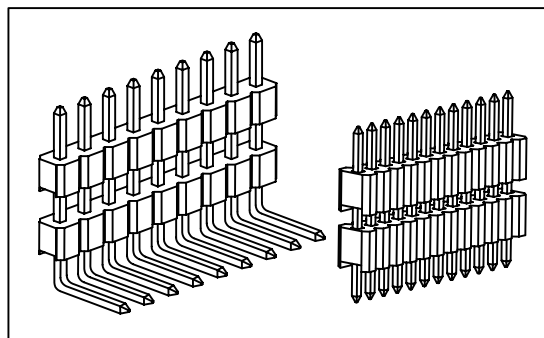
# 0.05"(1.27mm) Pin Header

## Single Row 02 to 50 Contacts

### Straight And Right Angle Type

#### SPECIFICATION

Current Rating	: 1 Amp
Insulator Resistance	: 1000 Megohms min.
Contact Resistance	: 20 Milliohms Max.
Dielectric Withstanding	: AC 500 V
Operating Temperature	: -40°C ~ +105°C
Max Processing Temp	: 230°C For 30~60 Seconds (260°C For 10 Seconds)
Contact Material	: Brass
Insulator Material	: Polyester, UL 94V-0 Standard : Nylon-6T
Contact Plated	: Full Gold, Full Tin, Selective Plated



## HOW TO ORDER

Series No.	P104-3 1 * XX X XX-XX -XX	A-0.4SQ B-0.46SQ
Series of No.	3:P1.27	X-0.4SQ&0.46SQ
Row Type	1:1 ROW	1X:H=1.0mm W=2.1mm
No. of Contact Per Row		2X:H=1.7mm W=2.5mm
TERMINAL TYPE		3X:H=1.0mm W=2.5mm
S : Straight Type		4X:H=2.54mm W=2.5mm
R : Right Angle Type		5A:H=2.0mm W=2.5mm
Contact Plated		6A:H=0.65mm W=2.5mm
		7X:H=1.5mm W=2.1mm
		8X:H=1.7mm W=2.1mm
		9X:H=2.5mm W=2.1mm
		Terminal Dimension Type
		01:
		02:

Full Gold Type	Selective Plated Type Gold Plated on Contact Area Tin Plated on Solder Area	Full Tin Type
GF : Gold Flash	HF : Gold Flash, Tin 100u"	T1 : Tin 100u"
G1 : Gold 3u"	H1 : Gold 3u", Tin 100u"	T2 : Tin 200u"
G2 : Gold 5u"	H2 : Gold 5u", Tin 100u"	
G3 : Gold 10u"	H3 : Gold 10u", Tin 100u"	
G4 : Gold 15u"	H4 : Gold 15u", Tin 100u"	
G5 : Gold 20u"	H5 : Gold 20u", Tin 100u"	
G6 : Gold 30u"	H6 : Gold 30u", Tin 100u"	