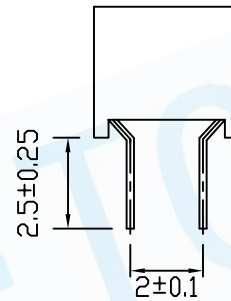
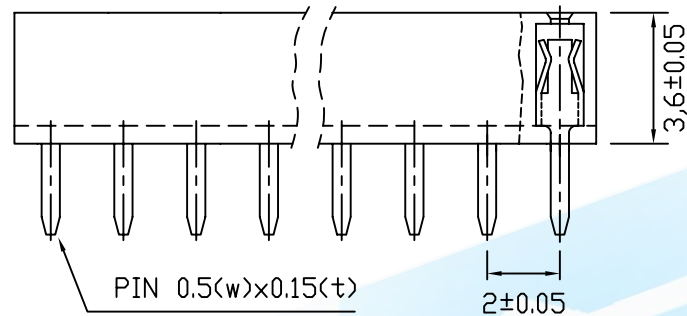
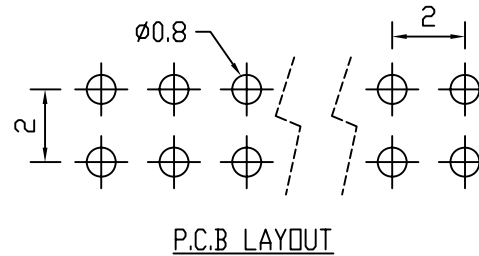
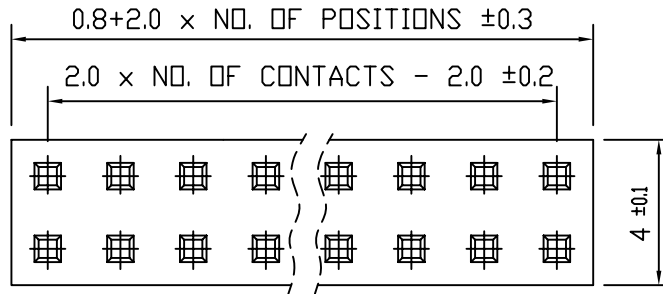
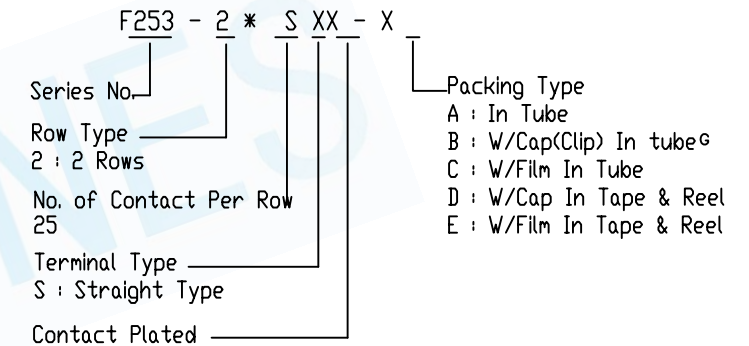


REV.	ECN NO.	DATE
1.0	RELEASED	02/26/03




HOW TO ORDER



Full Gold Type	Selective Plated Type Gold Plated on Contact Area Tin Plated on Solder Area	Full Tin Type
GF : Gold Flash	HF : Gold Flash, Tin 100u"	T1 : Tin 100u"
G1 : Gold 3u"	H1 : Gold 3u", Tin 100u"	T2 : Tin 200u"
G2 : Gold 5u"	H2 : Gold 5u", Tin 100u"	
G3 : Gold 10u"	H3 : Gold 10u", Tin 100u"	
G4 : Gold 15u"	H4 : Gold 15u", Tin 100u"	
G5 : Gold 20u"	H5 : Gold 20u", Tin 100u"	
G6 : Gold 30u"	H6 : Gold 30u", Tin 100u"	

SPECIFICATIONS

CURRENT RATING : 1 AMPS
 INSULATOR RESISTANCE : 5000 MEGOHMS MIN.
 CONTACT RESISTANCE : 20 MILLIOHMS MAX.
 DIELECTRIC WITHSTANDING : AC 500V
 OPERATING TEMPERATURE : -40°C - +105°C
 MAX PROCESSING TEMP. : 230°C FOR 30 ~ 60 SECONDS
 (260°C FOR 10 SECONDS)
 CONTACT MATERIAL : PHOSPHOR BRONZE
 INSULATOR MATERIAL : POLYESTER, UL 94V-0
 STANDARD : NYLON-6T
 CONTACT PLATED : FULL GOLD, FULL TIN, SELECTIVE PLATED

比例 (SCALE)	FREE	繪圖 (DRAW)	ZHAONENGMEI	 崧嵐企業有限公司 TOWNES ENTERPRISE CO.,LTD
單位 (UNIT)	MM	審核 (CHECK)	/ /	
一般公差 (TOLERANCE)	承認 (AP'E)	/ /	圖名 (NAME) : FEMALE HEADER P2.0mm H=3.6mm DIP 2*25P	
.0=±0.35 .00=±0.2 ANG=±5°	投影法 PROJECTION	第三角	料號 (PART NO)	F253-2*XXSXX-X
			圖號 (DRAW NO)	20030226-03(F253)