

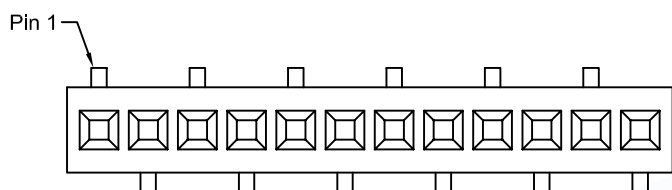
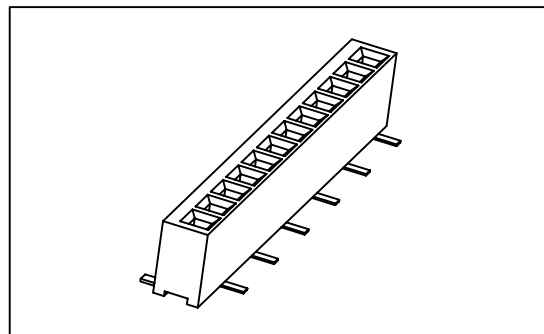
0.05"(1.27mm) Female Header

Single Row 02 to 50 Contacts

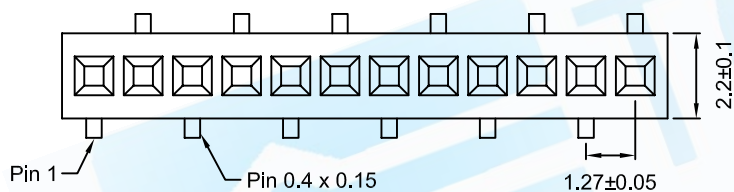
SMT Type Profile : 4.3mm

SPECIFICATION

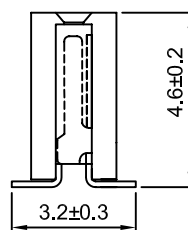
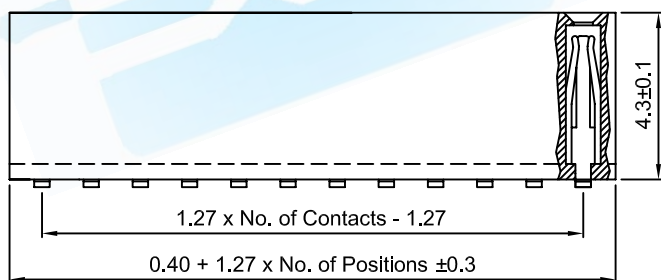
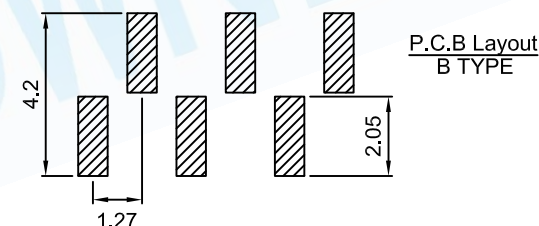
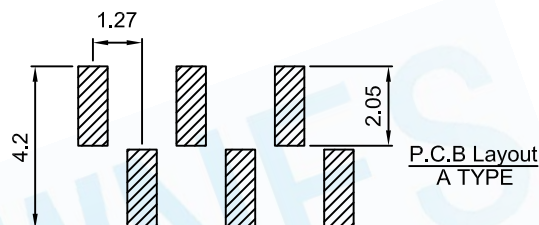
Current Rating	: 1 Amp
Insulator Resistance	: 5000 Megohms min.
Contact Resistance	: 20 Milliohms Max.
Dielectric Withstanding	: AC 500 V
Operating Temperature	: -40°C ~ +105°C
Max Processing Temp	: 230°C For 30~60 Seconds (260°C For 10 Seconds)
Contact Material	: Phosphor Bronze
Insulator Material	: Polyester, UL 94V-0
	Standard : Nylon-6T or L.C.P.
Contact Plated	: Full Gold, Full Tin
Standard	: Gold Flash all Over Nickel



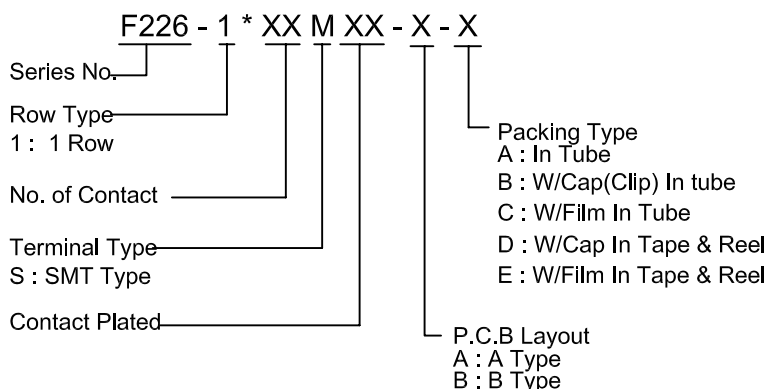
A TYPE



B TYPE



HOW TO ORDER



Full Gold Type	Full Tin Type
GF : Gold Flash	T1 : Tin 100u"
G1 : Gold 3u"	T2 : Tin 200u"
G2 : Gold 5u"	
G3 : Gold 10u"	
G4 : Gold 15u"	
G5 : Gold 20u"	
G6 : Gold 30u"	