

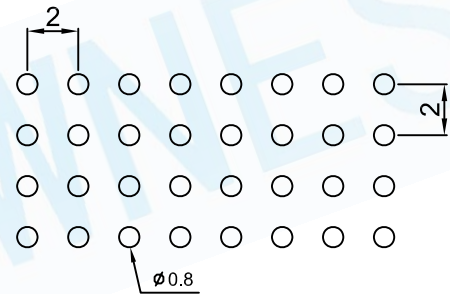
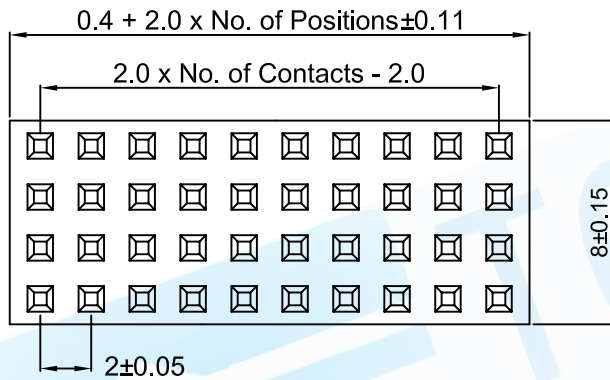
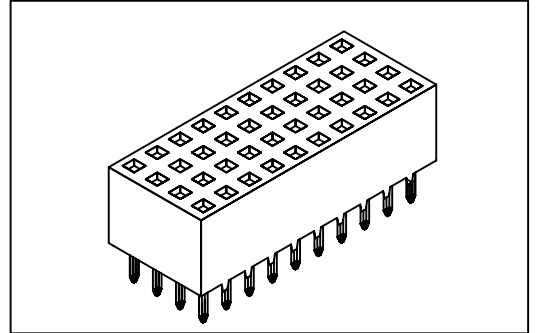
# 0.079"(2.0mm) Female Header

## Four Row 16 to 120 Contacts

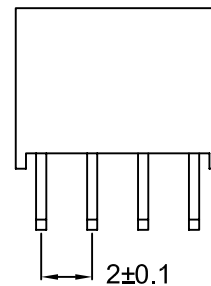
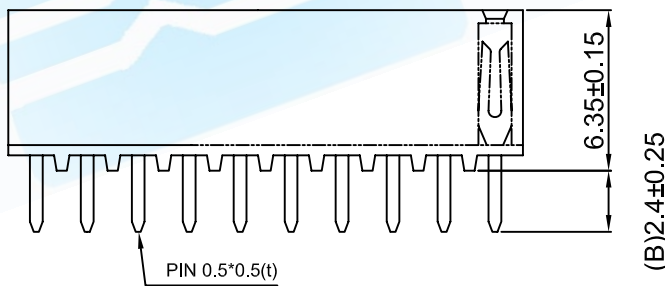
### Straight Type Profile : 6.35mm

#### SPECIFICATION

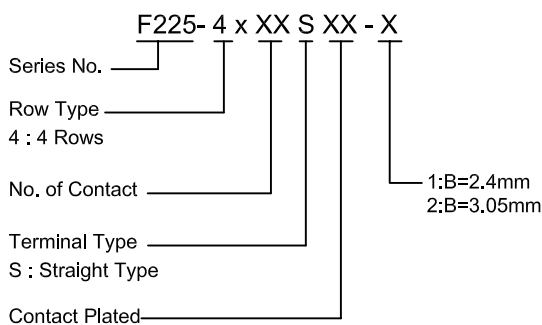
|                         |   |
|-------------------------|---|
| Current Rating          | : 1 Amp   |
| Insulator Resistance    | : 5000 Megohms min.                                 |
| Contact Resistance      | : 20 Milliohms Max.                                 |
| Dielectric Withstanding | : AC 500 V  |
| Operating Temperature   | : -40°C ~ +105°C                                    |
| Max Processing Temp     | : 230°C For 30~60 Seconds<br>(260°C For 10 Seconds) |
| Contact Material        | : Phosphor Bronze                                   |
| Insulator Material      | : Polyester, UL 94V-0<br>Standard : Nylon-6T & LCP  |
| Contact Plated          | : Full Gold, Full Tin, Selective Plated             |



P.C.B. Layout



## HOW TO ORDER



| Full Gold Type  | Selective Plated Type<br>Gold Plated on Contact Area<br>Tin Plated on Solder Area | Full Tin Type  |
|-----------------|---|----------------|
| GF : Gold Flash | HF : Gold Flash, Tin 100u"  | T1 : Tin 100u" |
| G1 : Gold 3u"   | H1 : Gold 3u", Tin 100u"  | T2 : Tin 200u" |
| G2 : Gold 5u"   | H2 : Gold 5u", Tin 100u"  |                |
| G3 : Gold 10u"  | H3 : Gold 10u", Tin 100u"   |                |
| G4 : Gold 15u"  | H4 : Gold 15u", Tin 100u"   |                |
| G5 : Gold 20u"  | H5 : Gold 20u", Tin 100u"   |                |
| G6 : Gold 30u"  | H6 : Gold 30u", Tin 100u"   |                |