

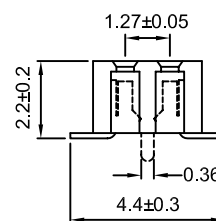
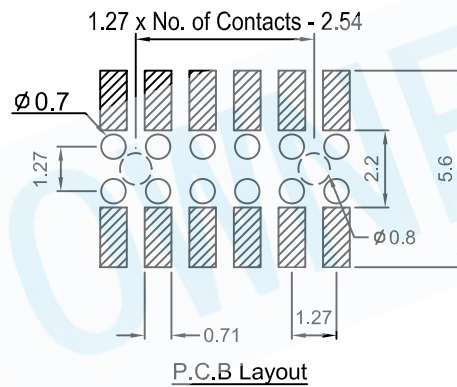
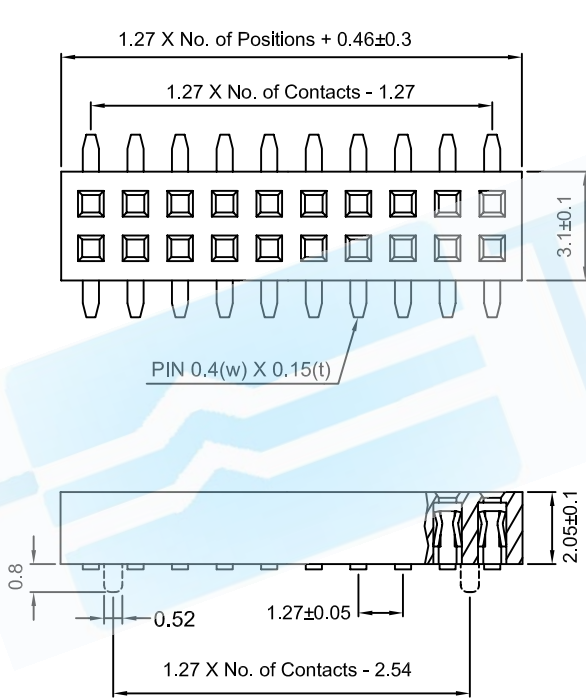
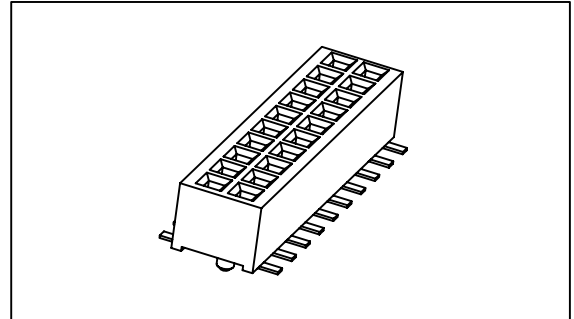
0.05" X 0.05"(1.27 X 1.27mm) Female Header

Dual Row 04 to 100 Contacts

SMT Type Profile : 2.05mm Solder Width : 4.4mm

SPECIFICATION

Current Rating	: 1 Amp
Insulator Resistance	: 5000 Megohms min.
Contact Resistance	: 20 Milliohms Max.
Dielectric Withstanding	: AC 500 V
Operating Temperature	: -40°C ~ +105°C
Max Processing Temp	: 230°C For 30~60 Seconds (260°C For 10 Seconds)
Contact Material	: Phosphor Bronze
Insulator Material	: Polyester, UL 94V-0
	Standard : L.C.P & NY-6T
Contact Plated	: Full Gold, Full Tin
Standard	: Gold Flash all Over Nickel



HOW TO ORDER

F213B - 2 * XX M XX - X X	
Series No.	Packing Type
Row Type	A : In Tube
2 : 2 Rows	B : W/Cap(Clip) In tube
No. of Contact Per Row	C : W/Film In Tube
Terminal Type	D : W/Cap In Tape & Reel
M : SMT Type	E : W/Film In Tape & Reel
Contact Plated	Board Lock
	0 : W/O Locating Peg
	1 : W/ Locating Peg

Full Gold Type	Full Tin Type
GF : Gold Flash	T1 : Tin 100u"
G1 : Gold 3u"	T2 : Tin 200u"
G2 : Gold 5u"	
G3 : Gold 10u"	
G4 : Gold 15u"	
G5 : Gold 20u"	
G6 : Gold 30u"	